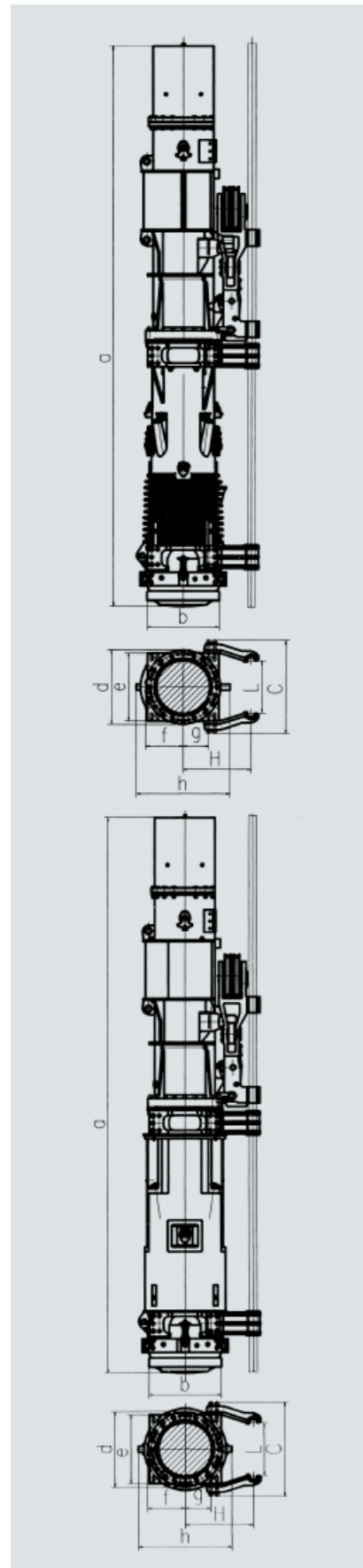


Technical Data for D Series Diesel Pile Hammer



Model		Unit	D12	D16	D19	D25	D30	D36	D46	D50	D62	D80	D100	D128	D138	D160	D180
			Batter piling forward and backward up to														
Technical data			1:2	1:2/1:1	1:2/1:1	1:3/1:1	1:3/1:1	1:3/1:1	1:3/1:1	1:2/1:1	1:2/1:1	1:2/1:1	1:5/1:2	1:3/1:1	1:3/1:1	1:3/1:2	1:3/1:2
Impact Weight (piston)		kg	1280	1600	1820	2500	3000	3600	4600	5000	6200	8000	10000	12800	13800	16000	18000
Energy per blow		Nm	46080 20500	53460 25585	65520 45680	90000 39975	102300 47970	122760 55450	165600 70850	180000 80000	218960 107050	266830 171085	333540 213860	417000 250200	461000 295000	544000 331840	610000 384300
Number of blows		min-l	35~52	36~52	35~52	35~52	36~52	36~53	35~53	35~52	36~50	36~45	36~45	36~45	36~45	36~45	36~45
Force of explosion pressure on pile max.		KN	606	686	686	1304	1304	1695	1695	1770	1800	2600	2600	3600	3985	4600	5100
Suitable for driving piles up to		Kg	5000	5000	6600	7500	9000	12000	16000	20000	25000	30000	40000	50000	70000	90000	100000
Permissible rope diameter for deflector sheave of tripping device max.		mm	20	20	20	22	22	38	38	25	38	30	30	30	30	38	38
Consumption	Diesel oil	L/h	4.50	5.50	7.5	8	10	11.50	16	17.60	20	25	30	36	39	45	54
	Lubricant	L/h	0.5	1	0.6	1	1	1.5	1.5	3	3.2	2.9	2.9	3.6	4	5	5
Volume	Diesel oil tank	L	24	32	32	67	67	89	89	83	98	155	155	190	190	240	240
	Lube tank	L	6.5	9	9	19	19	17	17	20.9	31.5	32	32	60	60	80	80
Weight	Diesel pile hammer approx.	kg	2735	3250	3695	5810	6310	8400	9400	11400	12280	16905	20360	24320	25900	31200	34030
	Tripping device approx	kg	100	100	100	180	180	400	400	600	400	750	750	750	750	1300	1300
	Transport bracket/cradle approx.	kg	11	11	11	20	20	31.5	31.5	45	72	135	135	135	135	150	150
	Transport guard approx.	kg	15	15	15	23	23	25	25	25	34	220	220	220	220	220	220
	Tool box approx	kg	75	75	75	100	100	100	100	100	125	125	125	125	125	125	125
Dimension	Length of Diesel pile hammer (a/a1)	mm	4770	5158	5158	5562	5562	5808	5746	5860	6967	7243	7403	7416	7416	7877	8365
	Outer diameter of impact block (b)	mm	440	440	440	560	560	660	660	670	710	810	810	960	960	1045	1045
	Overall dimensions measured over fastening screws of the guide jaws (c)	mm	560	560	560	780	780	880	880	900	860	1130	1130	1210	1210	1260	1260
	Width of Diesel pile hammer (d)	mm	440	485	485	640	640	785	785	1002	800	890	890	1030	1030	1156	1156
	Width for connection of guide jaws (e)	mm	320	320	320	540	540	640	640	660	560	800	800	910	910	910	910
	Center of Diesel pile hammer up to pump guard (f)	mm	335	345	345	405	405	445	445	460	490	550	550	560	560	610	610
	Center of Diesel pile hammer up to center of threaded hole for fastening screw of the guide jaws (g)	mm	245	280	280	235	235	275	275	320	380	350	350	370	370	440	440
	Depth of Diesel pile hammer (h)	mm	610	665	665	715	715	848	848	880	970	1110	1110	1220	1220	1420	1420
	Standard distance from center of Diesel pile hammer up to the center of lead (H)	mm	340	360	440	440	440	500	500	544	560	720	720	765	765	950	950
	Leads width (L)	mm	330x(Ø70)										600x(Ø102)				

With the advances in technology, the above specifications may be subject to change. Please pay attention to the improvement and development of our company's products.